

STANDARD UPPER DETAIL DUPLO 66

SUBJECT: DUPLO 66 + 66 S

**ESPERO**  
MOBILE PARTITIONS

Espero B.V.  
P.O. Box 576  
5140 AN Waalwijk.

Phone: +31(0)416-338955  
Fax: +31(0)416-332635  
www.espero.nl  
E-mail: info@espero.nl

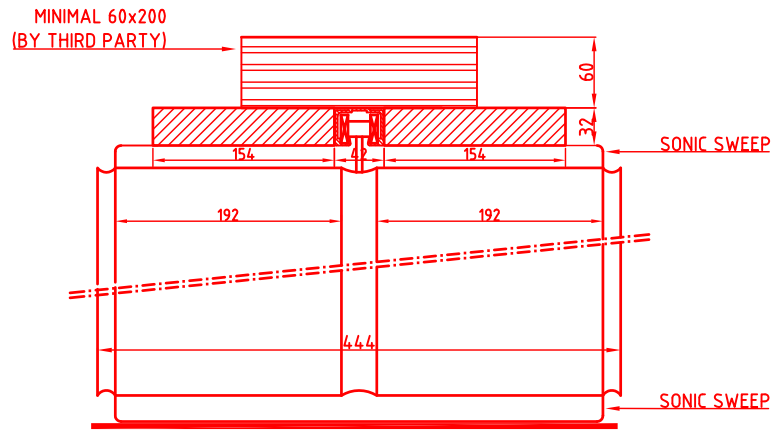
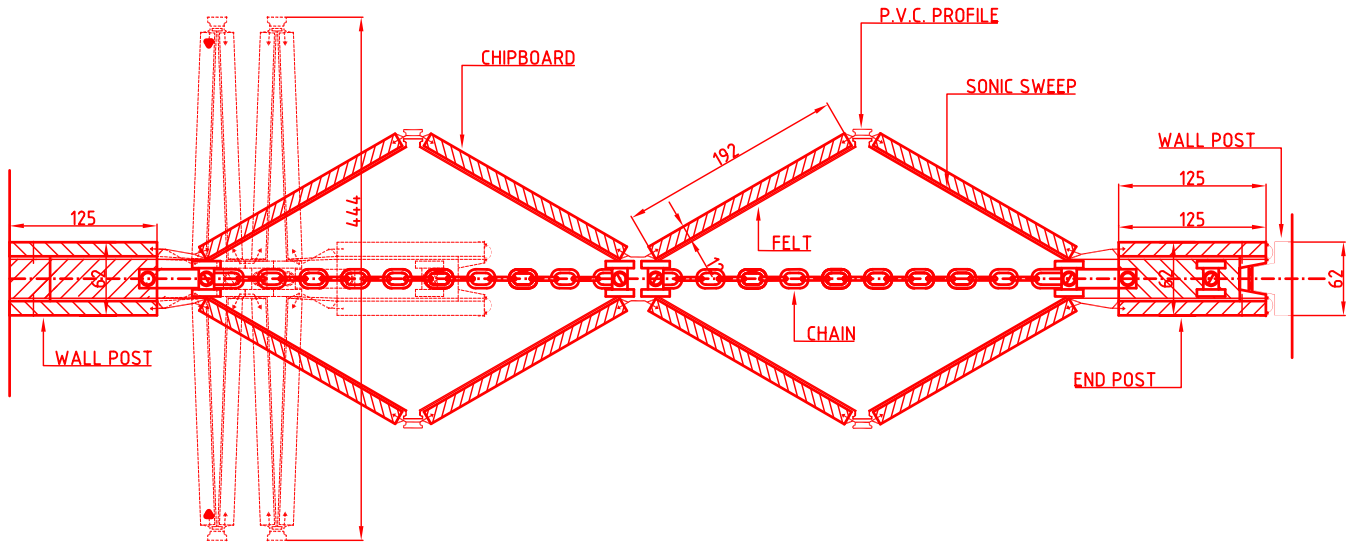
Drawn by.: SvdW

Type: DUPLO 66 +66 S

Scale --- Date 01-04-2005

Sheet 1 A4

Drawing no. D.01.E



STANDARD UPPER DETAIL DUPLO 88

SUBJECT: DUPLO 88 + 88 S

**ESPERO**  
MOBILE PARTITIONS

Espero B.V.  
P.O. Box 576  
5140 AN Waalwijk.

Phone: +31(0)416-338955  
Fax: +31(0)416-332635  
www.espero.nl  
E-mail: info@espero.nl

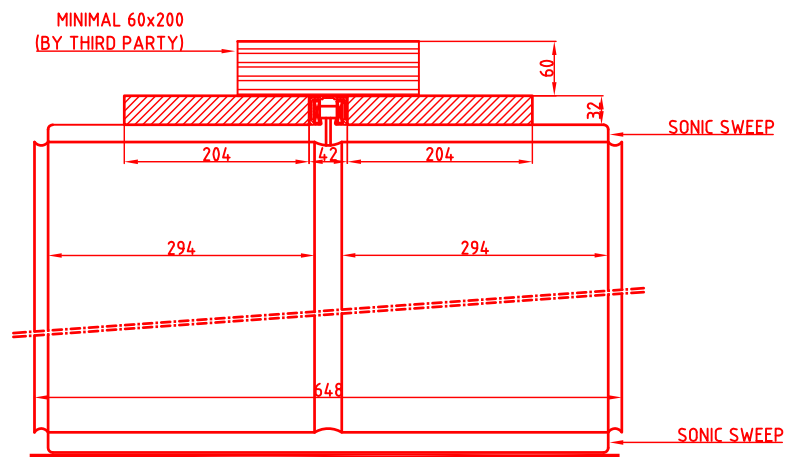
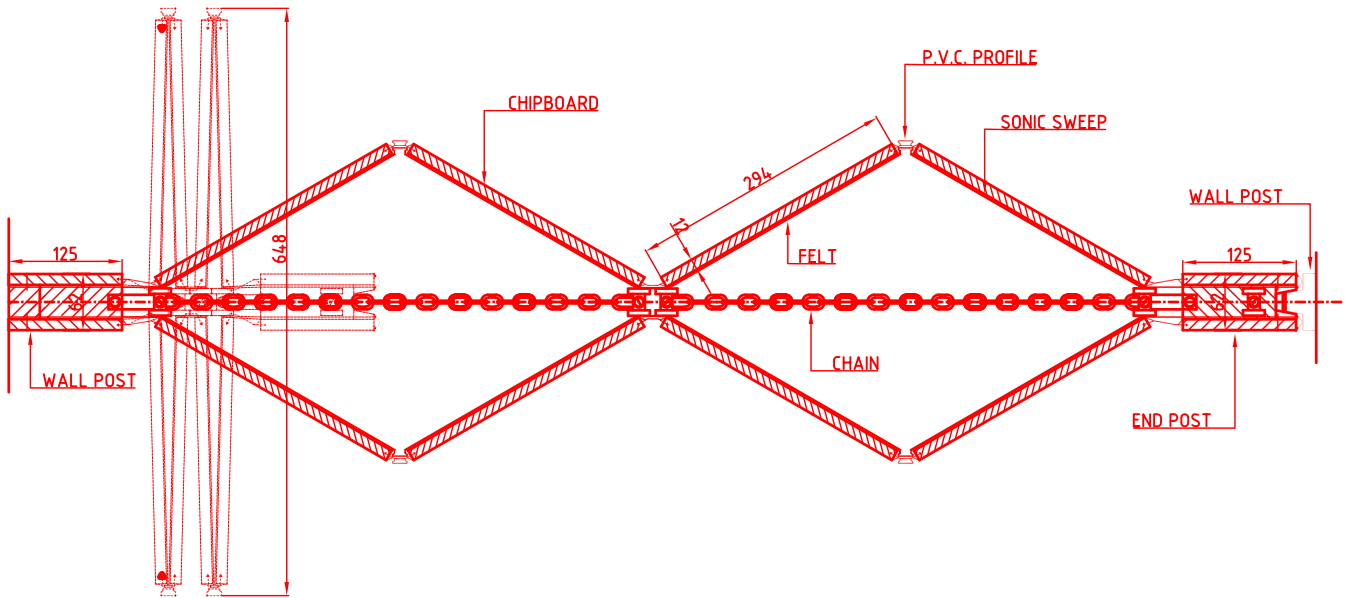
Drawn by.: SvdW

Type: DUPLO 88 +88 S

Scale --- Date 13-04-2005

Sheet 1 A4

Drawing no. D.02.E



STANDARD UPPER DETAIL DUPLO 122

SUBJECT: DUPLO 122 + 122s

**ESPERO**  
MOBILE PARTITIONS

Espero B.V.  
P.O. Box 576  
5140 AN Waalwijk.

Phone: +31(0)416-338955  
Fax.: +31(0)416-332635  
www.espero.nl  
E-mail: info@espero.nl

Drawn by.: SvdW

Type: DUPLO 122 + 122s

Scale

Date

Sheet

A4

Drawing no.

---

13-04-2005

1

D.03.E