

STANDARD UPPER DETAIL UNO 6

SUBJECT: UNO 6

**ESPERO**  
MOBILE PARTITIONS

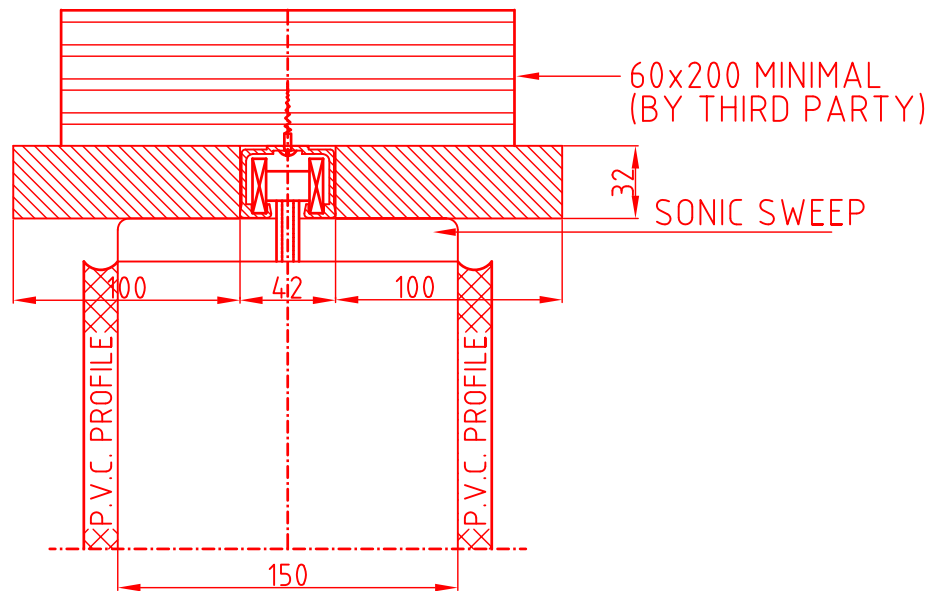
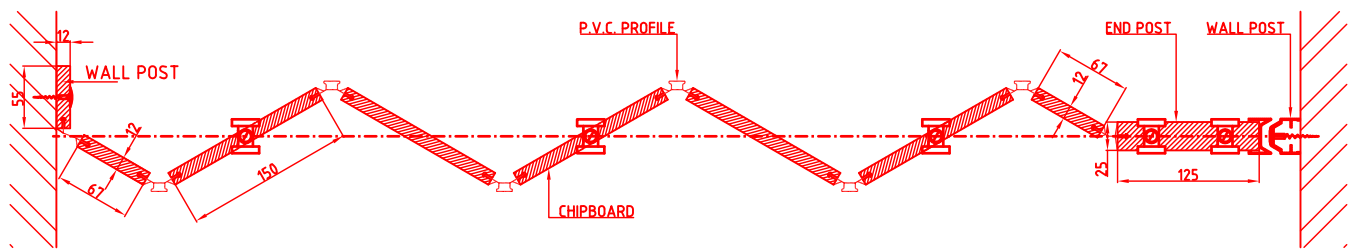
Espero B.V.  
P.O. Box 576  
5140 AN Waalwijk.

Phone: +31(0)416-338955  
Fax: +31(0)416-332635  
www.espero.nl  
E-mail: info@espero.nl

Drawn by.: SvdW  
Scale --- Date 01-04-2005

Type: UNO 6  
Sheet 1 A4

Drawing no. U.01.E



STANDARD UPPER DETAIL UNO 6A

SUBJECT: UNO 6A

**ESPERO**  
MOBILE PARTITIONS

Espero B.V.  
P.O. Box 576  
5140 AN Waalwijk.

Phone: +31(0)416-338955  
Fax: +31(0)416-332635  
www.espero.nl  
E-mail: info@espero.nl

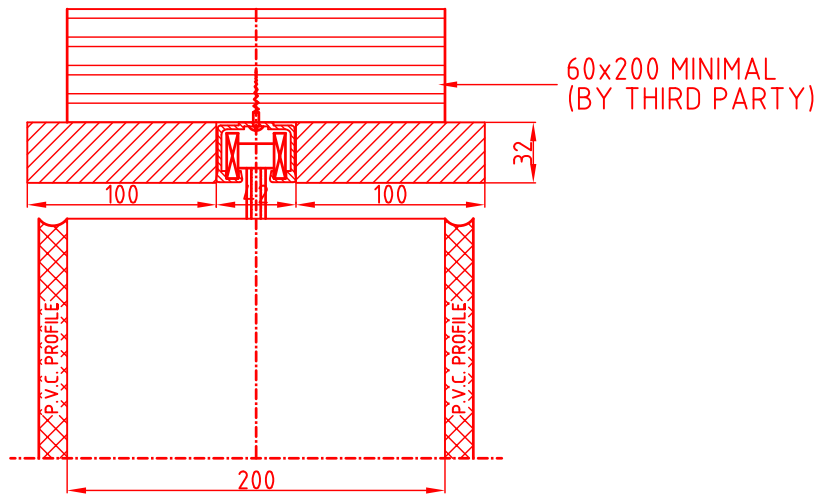
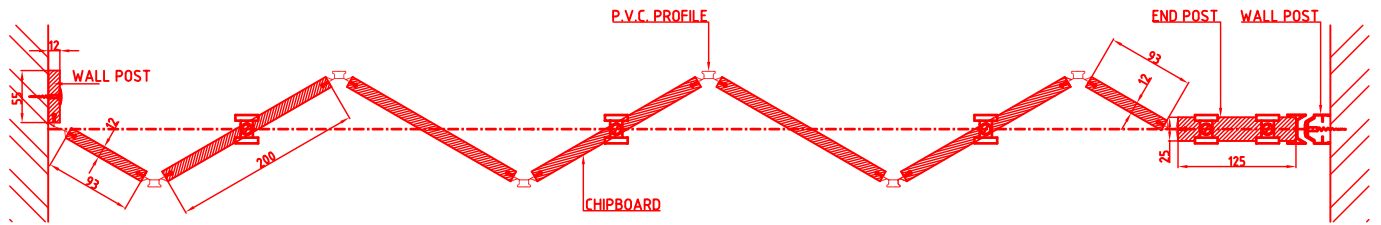
Drawn by.: SvdW

Type: UNO 6A

Scale --- Date 01-04-2005

Sheet 2 A4

Drawing no. U.02.E



STANDARD UPPER DETAIL UNO 8

SUBJECT: UNO 8

**ESPERO**  
MOBILE PARTITIONS

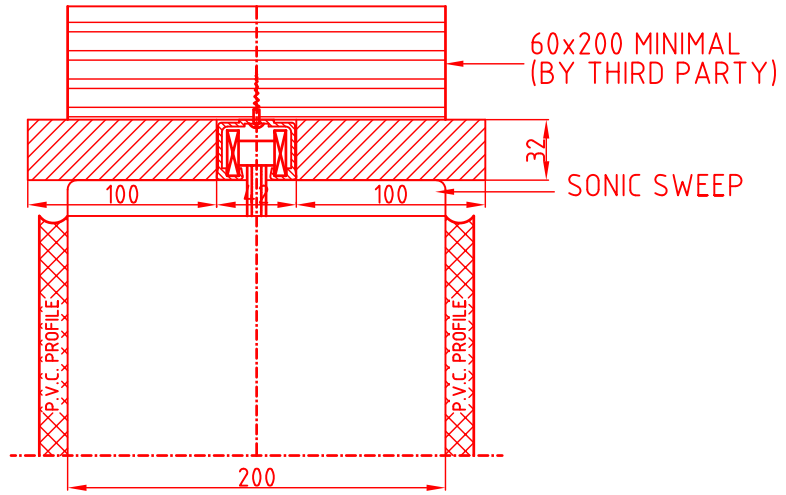
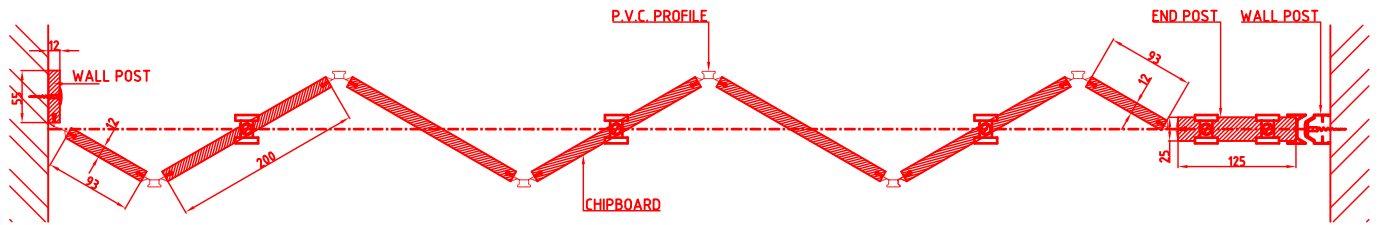
Espero B.V.  
P.O. Box 576  
5140 AN Waalwijk.

Phone: +31(0)416-338955  
Fax.: +31(0)416-332635  
www.espero.nl  
E-mail: info@espero.nl

Drawn by.: SvdW  
Scale ---  
Date 01-04-2005

Type: UNO 8  
Sheet 1  
A4

Drawing no.  
U.03.E



STANDARD UPPER DETAIL UNO 8A

SUBJECT: UNO 8A

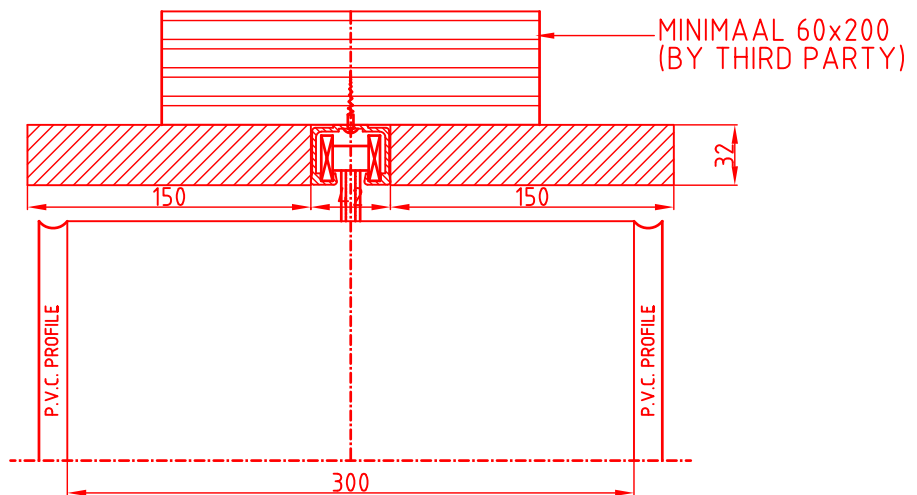
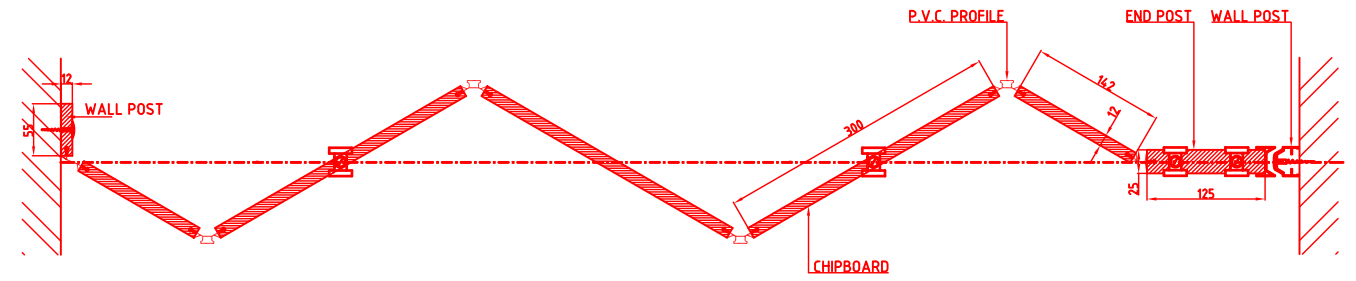
**ESPERO**  
MOBILE PARTITIONS

Espero B.V.  
P.O. Box 576  
5140 AN Waalwijk.

Phone: +31(0)416-338955  
Fax.: +31(0)416-332635  
www.espero.nl  
E-mail: info@espero.nl

Drawn by.: SvdW  
Scale --- Date 01-04-2005

Type: UNO 8A  
Sheet 1 A4 Drawing no. U.04.E



STANDARD UPPER DETAIL UNO 12

SUBJECT: UNO 12

**ESPERO**  
MOBILE PARTITIONS

Espero B.V.  
P.O. Box 576  
5140 AN Waalwijk.

Phone: +31(0)416-338955  
Fax: +31(0)416-332635  
www.espero.nl  
E-mail: info@espero.nl

Drawn by.: SvdW

Type: UNO 12

Scale

Date

Sheet

A4

Drawing no.

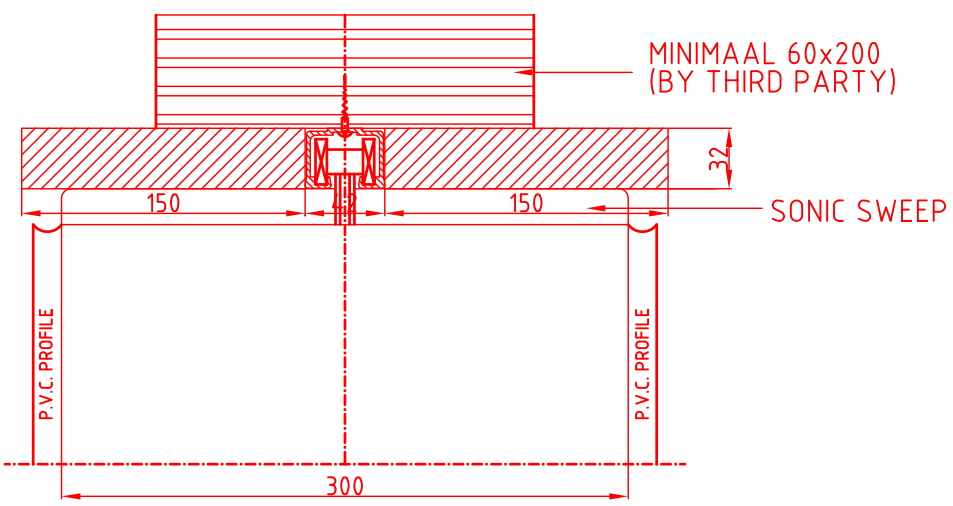
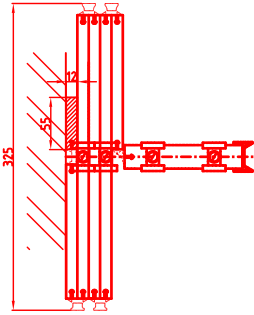
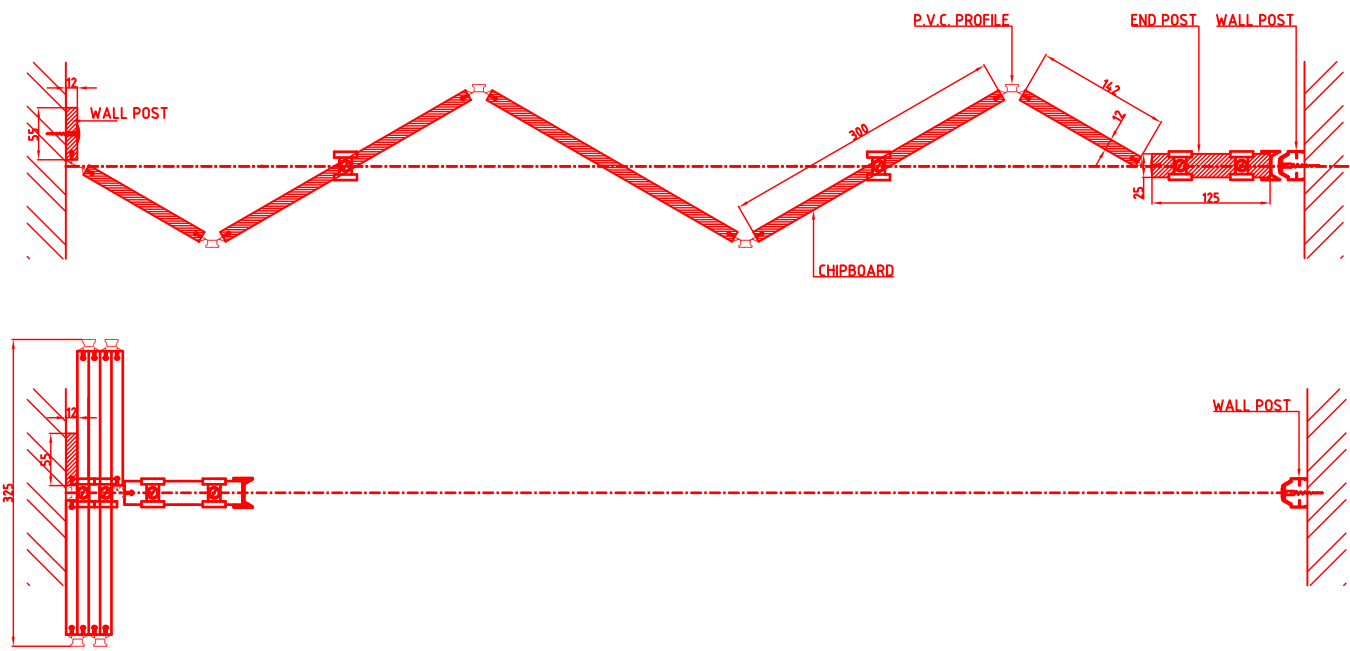
---

01-04-2005

1

A4

U.05.E



STANDARD UPPER DETAIL UNO 12A

SUBJECT: UNO 12A

**ESPERO**  
MOBILE PARTITIONS

Espero B.V.  
P.O. Box 576  
5140 AN Waalwijk.

Phone: +31(0)416-338955  
Fax.: +31(0)416-332635  
www.espero.nl  
E-mail: info@espero.nl

Drawn by.: SvdW

Type: UNO 12A

Scale --- Date 01-04-2005

Sheet 1 A4

Drawing no. U.06.E